

# Heavy Duty Bifold

---

Designed to meet the everyday rigors of the New Zealand built environment, the 175 series, range of bifold hardware will perform effortlessly year in and year out.



## Design Features

Opening your home, has never been so effortless. Zebratti bifolding hardware, with its proven design, will allow you to get the most out of your outdoor spaces.

Designed specifically for panels between 80 and 175Kg's, our heavy duty range of bifold hardware benefits from over 30 years of experience, designing and manufacturing architectural hardware.

To ensure your hardware will stand the test of time we only use highly corrosion resistant materials suited to New Zealand's coastal environment.

## Specifications

| Specifications    | Detail  |
|-------------------|---------|
| Panel Weight      | 175kg   |
| Max Panel Height  | 4m      |
| Max Panel Width   | 1.1m    |
| Height Adjustable | +/- 6mm |

## Features

- Smooth almost effortless action, has been achieved with the use of the latest engineering plastics, and precision bearings.
- Adjustability is a key feature for ensuring the smooth operation of our bifold system, panels are all height adjustable +/- 6mm to achieve correct operation.
- Aluminium and Steel Hinge blade options available.

## Surface Finishes

Aluminium hinge blades come standard in, natural anodized, and powdercoat. Satin chrome, and other electroplated finishes are available as special order.

## Testing

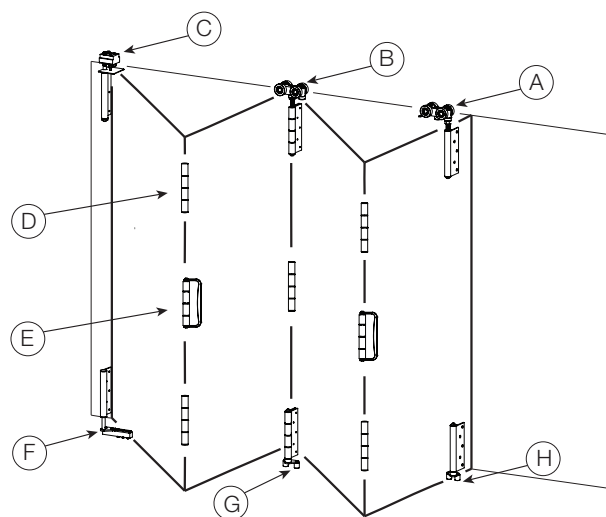
Thorough design and manufacturing controls, mean nothing without proof it will work in the real world.

The Heavy Duty range has been subjected to extensive cycle and load testing, that simulate real world conditions, to ensure it will stand the test of time.

Cycle testing of 50,000 cycles, has been achieved by this system.

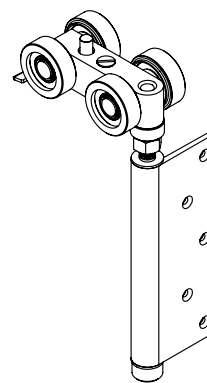


## Components



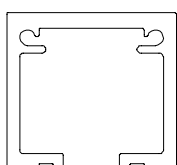
| Key |                              |
|-----|------------------------------|
| A   | Leading Top Roller           |
| B   | Mid Top Roller               |
| C   | Top Jamb Pivot               |
| D   | Offset Mid Hinge             |
| E   | Offset Mid Hinge with Handle |
| F   | Bottom Jamb Pivot            |
| G   | Mid Bottom Pivot             |
| H   | Leading Bottom Pivot         |

## Usage



Aluminium & Timber Joinery

## Track



TopTrack  
(10T6A)



Guide Track  
(TB6A)

Jamb End View

Leading End View

